



Change'AirTM
 PRODUCTS AND SERVICES LTD.

Engineered Excellence for Greener Classrooms

Internal Remote Condensing Unit

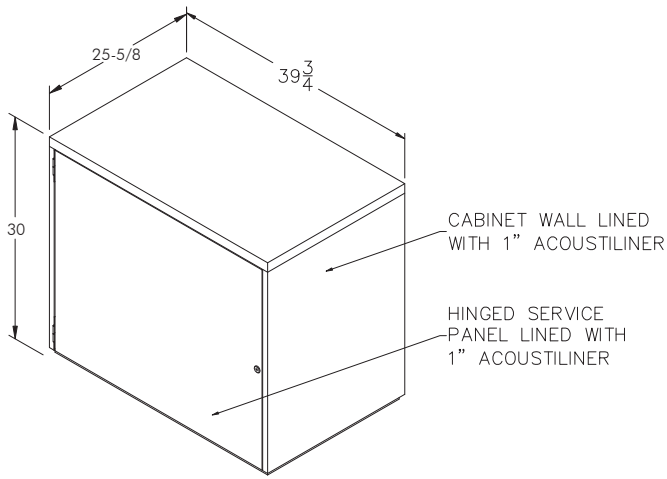
The Junior Series includes a unique side by side indoor remote condensing unit (IRCU) which connects to a Change'Air Classic Series (console unit) or any vertical with a split system evaporator coil. This design uses the efficient R410A refrigerant and offers a condensing unit for design situations when an external unit is not possible or desired. Easy to maintain or eliminating vandalism are just two of the advantages to this indoor condensing unit.

- ✓ Full range from 2.5 ton to 4 ton
- ✓ R410A refrigerant
- ✓ Single or dual stage compressors
- ✓ Scroll compressors
- ✓ LonMark or BACnet Controllers
- ✓ Various condensing fan options

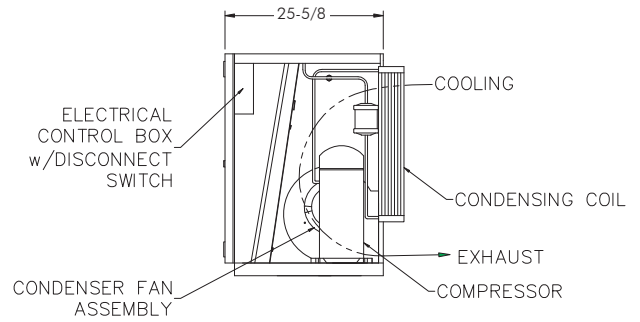
Junior Series-IRCU (indoor remote condensing unit)				
Option	Details			
Cabinet Sizes	"J" Cabinet (35"h x 39.75"w x 25"d)		"K" Cabinet (30"h x 39.75"w x 25.625"d)	
Heating	Not applicable			
Cooling	Packaged Air Conditioning (R410A refrigerant)			
	2.5 ton	3.0 ton	3.5 ton	4 ton
Ventilation	Not applicable			
Electrical Supply	"B" 208/3/60	"C" 208-230/1/60	"D" 277/1/60	"E" 460/3/60
Controls	PIC Stand Alone	PIC PLON (LonMark)	KMC Native (BACnet)	Supplied by Others
	Programmable TD Stat	Factory preprogrammed	Factory preprogrammed	Factory Installed
Insulation	Standard Fiberglass ductliner (airside coated)		Closed Cell	Perforated steel liner
Filters	Not applicable			

Important Note: This is not a compatibility table. Each option shows the available designs for the Series or model. For compatibilities on a specific design configuration please call your local Change'Air sales representative.
 :Shaded areas show options available but not reflected in the drawings on reverse side.

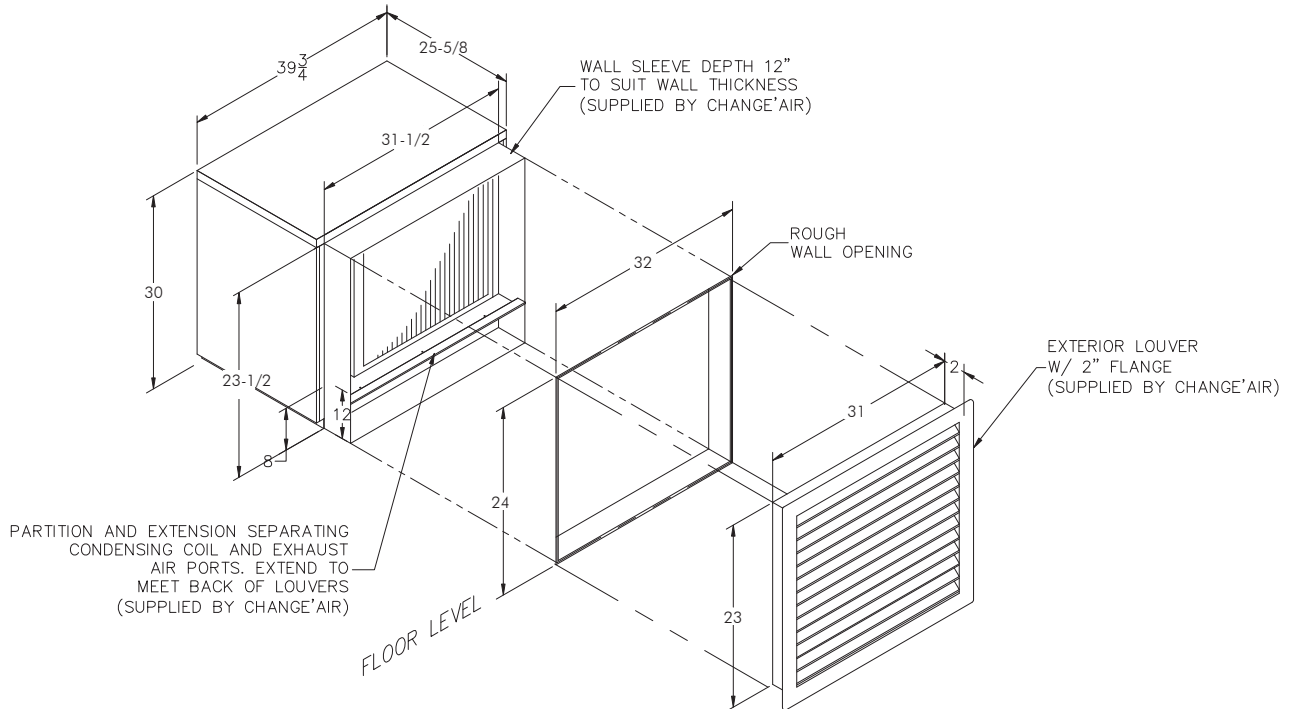
JUNIOR 36 IRCU



ISOMETRIC VIEW



RIGHT SIDE VIEW



INSTALLATION VIEW