



Change'Air™

PRODUCTS AND SERVICES LTD.

Engineered Excellence for Greener Classrooms

Low Condenser Intake Packaged Air Conditioning Unit

The air to air compressorized series uses the efficient R407C refrigerant and ECM motor technology to deliver self contained packaged air conditioning. This series offers a wide variety of capacities, designs and options including four different internal heating designs. Optional valve packages factory installed or many other cooling and heating upgrades are regularly included. This series offers space saving design when air to air cooling is required.

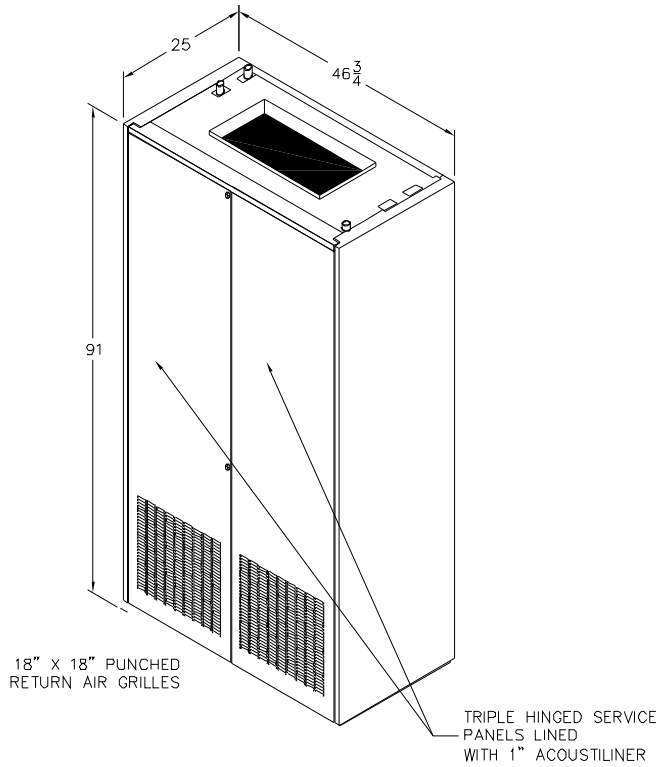
- ✓ Capacities from 5 to 7 ton
- ✓ R407C refrigerant
- ✓ Single stage Scroll compressors
- ✓ Various ECM supply fans options
- ✓ Optional power relief fan
- ✓ Hot water, steam or electric heat
- ✓ LonMark or BACnet Controllers

Junior Series - Hot Water

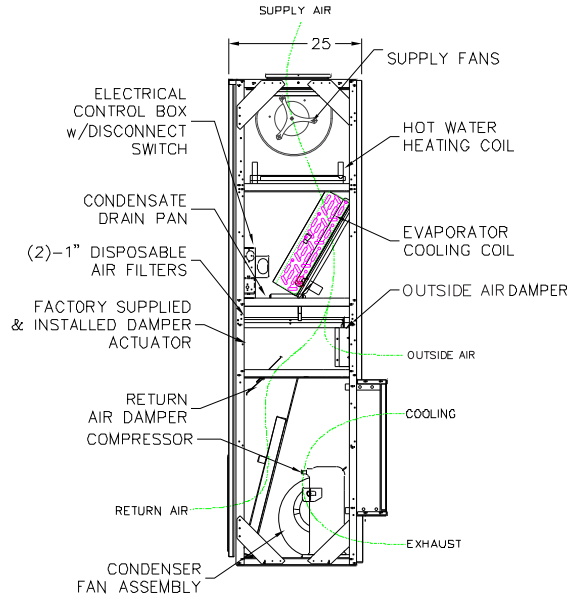
Option	Details			
Cabinet Size	"C" (91"h x 46.75"w x 25"d)			
Heating	Hot water Coil 1 or 2 row up to 111 MBTU	Steam Coil 1 or 2 row up to 145 MBTU	Electric Resistance Up to 15 KW	
Cooling	Free Cooling Economizer Dampers	Packaged Air Conditioning (R407C refrigerant)		
		5 ton	6 ton	7 ton
Cooling Options	Stainless Steel Drain Pan		Insulated Drain Pan	
Ventilation	Standard Damper Assembly (Outside/Return Air Damper)			
Supply Fan Motor	SC-D ½ hp 2 fan bodies (1450 cfm max.)	HC-D ¾ hp 2 fan bodies (1900 cfm max.)	XHC-D 1 hp 2 fan bodies (2200 cfm max.)	
Power Relief	Available externally in an accessory only			
Fan Speed Control	ECM (3 speed 24 VAC or 0-10 VDC signal)			
Electrical Supply	"B" 208/3/60	"C" 208-230-1/60	"D" 277/1/60	E" 460/3/60
Controls	CACS Stand Alone Programmable ES Stat	Factory Preprogrammed LonMark Compatible Controller	Factory Preprogrammed BACnet Compatible Controller	Supplied by Other Factory Installed
Insulation	Standard Fibreglass Ductliner (airside coated)	Closed Cell	Perforated Steel Liner	
Filters	1" Pleated Disposable	2" Pleated Disposable	Permanent Washable	Media Filter Rack with Replaceable Media
	MERV 8 (Standard)		MERV 11	MERV 13

Important Note: This is not a compatibility table. Each option shows the available for the Series or model. For compatibilities on a specific design configuration please call your Change'Air sales representative.
 :Shaded areas show options available but not reflected in the drawings on reverse side.

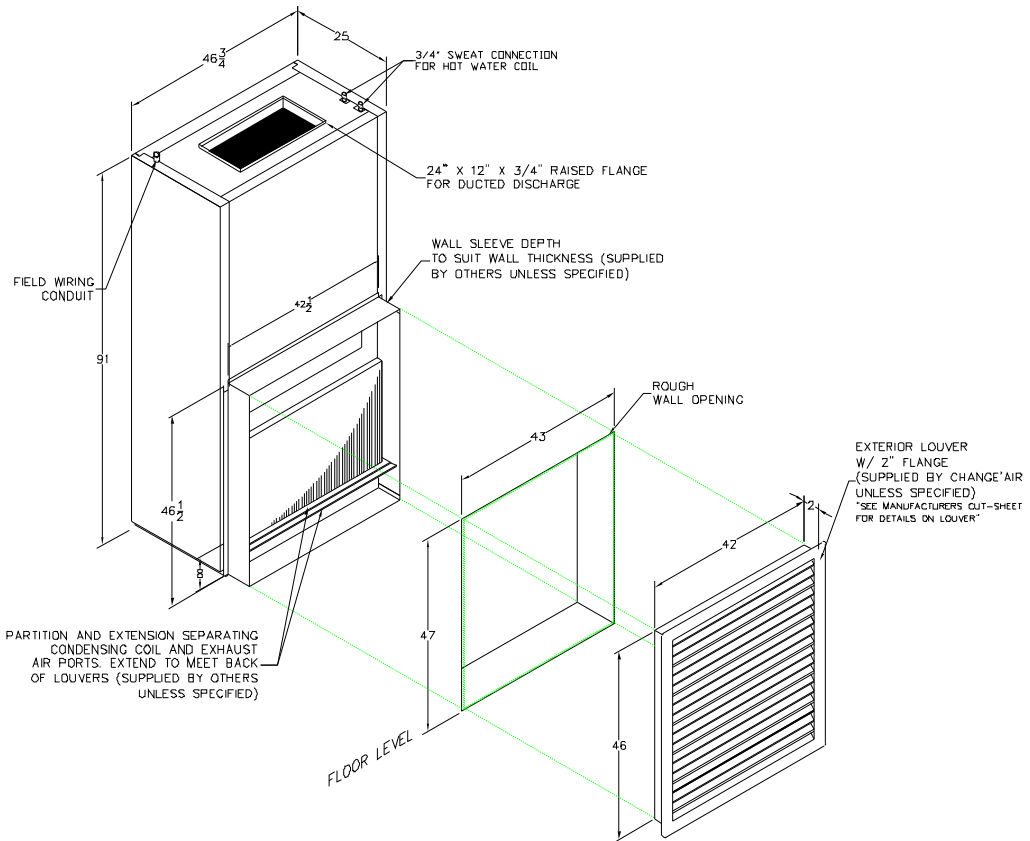
JUNIOR HPA 72 1800 C C



ISOMETRIC VIEW



SIDE VIEW



INSTALLATION VIEW