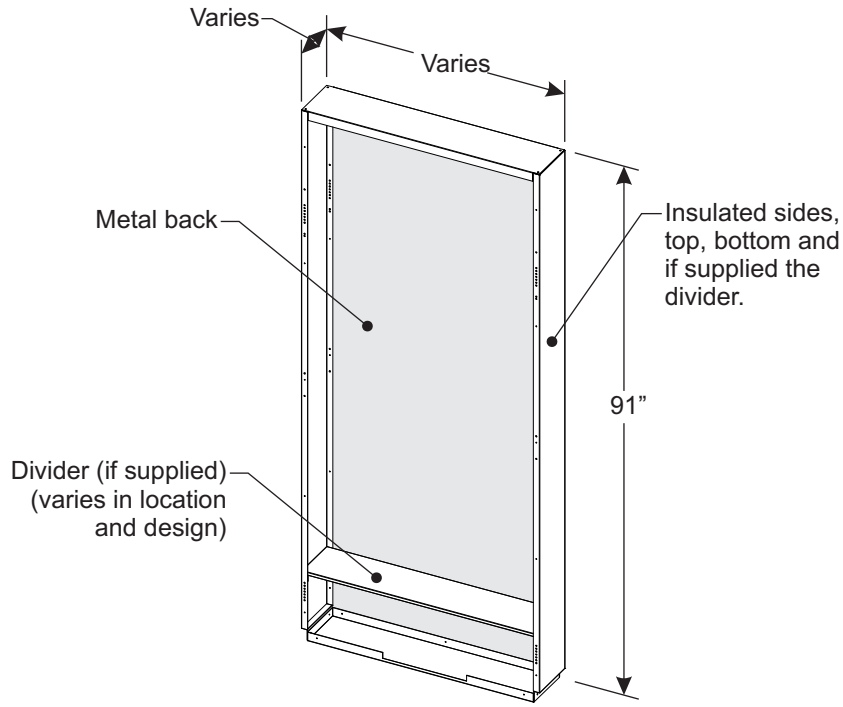


Insulated Rear Plenum



Standard Features:	Options:
Height will match unit (91")	Width/depth can be adjusted to suit site conditions
Finish will be the same as the unit	
Sides, top and divider (if supplied) are covered with 1" fiberglass insulation with a black mat on the air side.	1" closed cell insulation
Divider (if supplied)	Used on units to separate the outside air from the relief air or condenser fan exhaust.
Metal back supplied uninsulated	<ul style="list-style-type: none"> • 1" fiberglass insulation with a black mat on the air side. • 1" closed cell insulation

Design Consideration:

Depth of rear plenum will vary depending on site conditions and options selected for the Classroom Air Handler. The divider (if supplied) can take on several design options depending on site conditions. The openings for the exterior louvers must be cut by others on site. (note: there are some circumstances when the backs will come pre-cut due to design conditions)